

News

ComNet Products: Training Review



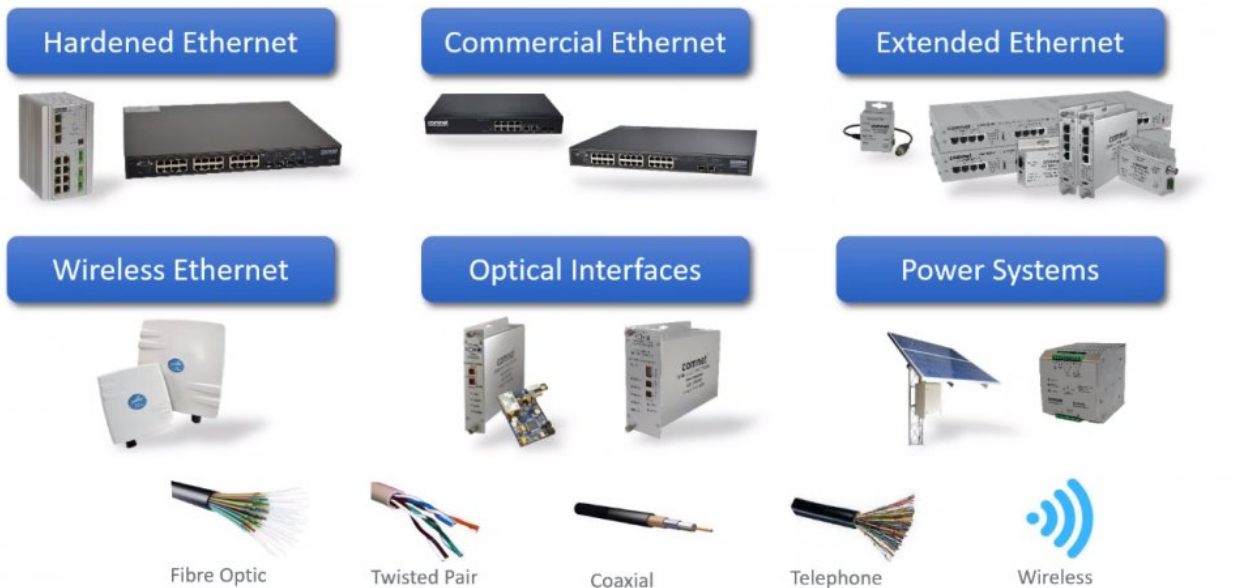
The Vanderbilt Learning Management System (LMS) is a quick and easy way to stay up-to-date with the latest Vanderbilt technology.

The platform offers multiple training courses and videos that can be accessed anywhere at anytime.

This free learning solution is aimed at delivering convenience to the Vanderbilt customer by enabling them to learning the latest tips and information at the click of a button.

ComNet Product Overview

Product Scope



This LMS training video gives a detailed overview of ComNet's extensive product portfolio. Led by Iain Deuchars, General Manager at ComNet International, the training video covers:

- Hardened Ethernet
- Commercial Ethernet
- Extended Ethernet
- Wireless Ethernet
- Optical Interfaces
- Power Systems

Other highlights of this training video include:

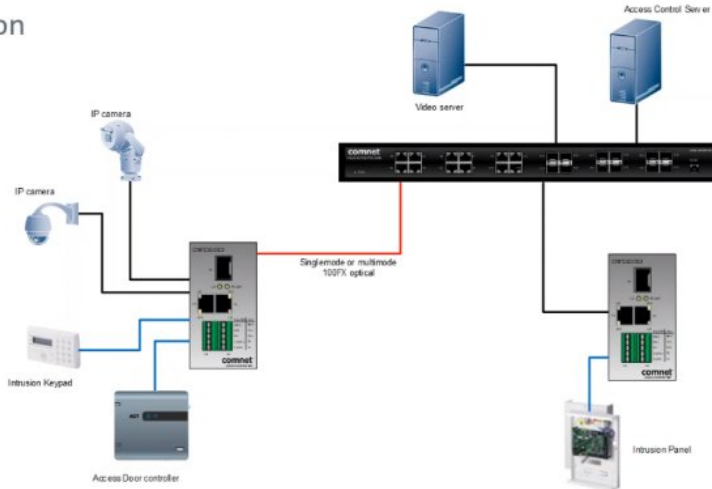
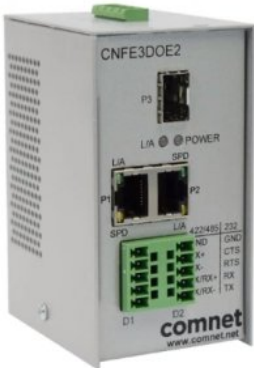
Media Converters

- Any configuration possible!
- Fixed & SFP optics
- PoE up to 60W
- 100/1000 switchable - Multirate
- Embedded, mini, DIN or rack mounted
- Hardened & Commercial



Industrial Serial Servers

- Serial Data over Ethernet
- Dry Contacts over Ethernet
- Hardware or In/Out configuration



Not just the Products

- Regional Support
- Design Center
- Live Technical Support
- Educational Tools, CPD Approved Training
- Digital Tools
- Large Inventory in USA & UK
- **LIFETIME Warranty**



comnet
Communication Networks

To review this training video in more detail, sign-up to our LMS today!



vanderbiltindustries.com